

REV	MODIFICHE	DATA	DISEGNATO	CONTROLLATO

<b>DENOMINAZIONE:</b> SCHEMA ELETTRICO 3N AC 400V KA	<b>MODELLO:</b> ICCT026E	<b>DISEGNATO</b> S.A.	<b>DATA</b> 08.10.2019	<b>CODICE</b>	<b>REV</b> 00
	<b>PERCORSO FILE:</b>	<b>CONTROLLATO</b> M. Z.	<b>SCALA</b>	<b>CODICE PREC.</b>	<b>REV</b>
	<b>IMBALLO:</b>	<b>TOLLERANZE GENERALI</b> DIMENSIONI < 150 mm ±0.5 mm DIMENSIONI > 150 mm ±1 mm ANGOLI NON QUOTATI = 90° ±30'			<b>ALi Group S.r.l.</b> Unità locale di Vittorio Veneto


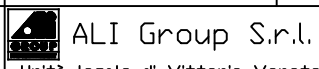
A TERMICO MOTORE  
AP ATTUATORE APERTURA PORTA AUTOMATICA  
AT AUTOTRASFORMATORE  
B1 SELETTORE CICLI  
B3 MICROPORTA  
B8 TEMPORIZZATORE COTTURA  
CA CONTATTORE MOTORE  
CB CONTATTORE MOTORE  
CS CONTATTORE  
CD CONTATTORE  
C2 CONTATTORE POTENZA CAMERA  
C3 CONTATTORE POTENZA RID. CAMERA  
C4 CONTATTORE POTENZA BOILER  
C5 CONTATTORE POTENZA RID. BOILER  
C6 CONTATTORE DI SICUREZZA  
DA DEVIATORE VELOCITA'  
DB DEVIATORE VELOCITA'  
E FUSIBILE  
EI FUSIBILE INVERTER  
FL FILTRO DI LINEA  
F1 FILTRO  
FP FERRITE  
F1 TERMOSTATO CAMERA  
F2 TERMOSTATO DI SICUREZZA CAMERA  
F3 TERMOSTATO DI SICUREZZA BOILER  
F4 TERMOSTATO CONTROLLO VAPORE  
F5 TERMOSTATO CONDENSAZIONE  
F6 TERMOSTATO SCARICO BOILER  
HI LAMPADA SPIA  
I INVERSDIRE ROTAZIONE MOTORE  
IL INTERRUPTORE LUCE  
IG INTERRUPTORE GENERALE  
K3 CONDENSATORE  
L FASE  
L1 LAMPADA  
LA1 LIVELLO ALTO CASSETTO SOLID CLEAN  
LB1 LIVELLO BASSO CASSETTO SOLID CLEAN  
LA2 LIVELLO ALTO CASSETTO SOLID CAL  
LB2 LIVELLO BASSO CASSETTO SOLID CAL  
M MOTORE  
MKA MOTORE CAPP  
MA MORSETTIERA ALLACCIAMENTO  
M2 MOTORE DI RAFFREDDAMENTO  
N NEUTRO  
NI SONERIA  
U1 REGOLATORE UMIDITA'  
PA PRESSOSTATO ACQUA  
PAP PULSANTE APRIPORTA AUTOMATICA  
PB POMPA BOILER LAVAGGIO CALOUT  
PD POMPA DETERGENTE  
PG PRESSOSTATO GAS  
PL CONTROLLO LIVELLO  
PR1 POMPA RICIRCOLO CASSETTO SOLID CLEAN  
PR2 POMPA RICIRCOLO CASSETTO SOLID CAL  
PU PULSANTE UMIDIFICATORE  
PSM POMPA SMOKE GRILL  
PAR POMPA AROMA ESSENCE  
PFC INDUTTANZA  
PROT TERMICO MOTORE  
RB RELE' BASSA VELOCITA'  
RBB RELE' BRUCIATORE BOILER  
RBC RELE' BRUCIATORE CAMERA  
RD RELE' MOTORE  
RS RELE' MOTORE  
RC RELE' CAMERA  
RG RIPRISTINO GAS  
RM RELE' MICROPORTA  
RP RELE' RIDUZIONE POTENZA  
RSC RELE' SCARICO BOILER  
RR RELE' RAFFREDDAMENTO  
R1 RESISTENZA CAMERA  
R2 RESISTENZA BOILER  
SA ELETTROVALVOLA SCARICO LAVAGGIO  
SF SCHEDE FUNZIONI  
IS INTERRUPTORE SONDA CUORE  
RL RELE' LUCE  
RS RELE' SFIATO  
RU RELE' UMIDIFICATORE  
RV RELE' SONDA CUORE  
RV RELE' VELOCITA'  
SB SONDA TEMPERATURA BOILER  
SC SONDA TEMPERATURA CAMERA  
SD SONDA TEMPERATURA CONDENSAZIONE  
SS SONDA TEMPERATURA SONDA CUORE  
S1 ELETTROVALVOLA UMIDIFICATORE  
S2 ELETTROVALVOLA CARICO BOILER  
S5 ELETTROVALVOLA CONDENSAZIONE  
S6 ELETTROVALVOLA LAVAGGIO BOILER  
S7 ELETTROVALVOLA LAVAGGIO CAMERA  
S8 CARICO ACQUA CASSETTO SOLID CLEAN  
S9 CARICO ACQUA CASSETTO SOLID CAL  
SBV SELETTORE BASSA VELOCITA'  
S21 ELETTROVALVOLA GAS CAMERA 1  
S22 ELETTROVALVOLA GAS BOILER 1  
S23 ELETTROVALVOLA GAS CAMERA 2  
S24 ELETTROVALVOLA GAS BOILER 2  
TE TEMPORIZZATORE  
TEC TEMPORIZZATORE CAPP  
TES TEMPORIZZATORE SCARICO BOILER  
TEU TEMPORIZZATORE UMIDIFICATORE  
TEV TEMPORIZZATORE FERMO VENTOLE  
TR TEMPORIZZATORE ACCENSIONE GAS  
TP1 TAPPO CASSETTO SOLID CLEAN  
TP2 TAPPO CASSETTO SOLID CAL  
T1 TRASFORMATORE SCHEDE TASTIERA  
T2 TRASFORMATORE SCHEDE DISPLAY  
T3 TRASFORMATORE LUCE  
T4 TRASFORMATORE SCHEDE BASE  
TA TRASFORMATORE ISOLAMENTO  
TZ TRASFORMATORE DI ACCENSIONE  
VCS LAVAGGIO CAMERA AUTOMATICO  
V1 SCARICO BOILER  
V2 SCARICO CAMERA  
VV SCHEDE CONTROLLO CAPP  
Z1 ACCENSIONE GAS CAMERA 1  
Z2 ACCENSIONE GAS BOILER 1  
Z3 ACCENSIONE GAS CAMERA 2  
Z4 ACCENSIONE GAS BOILER 2  
KA RELE' CAPP

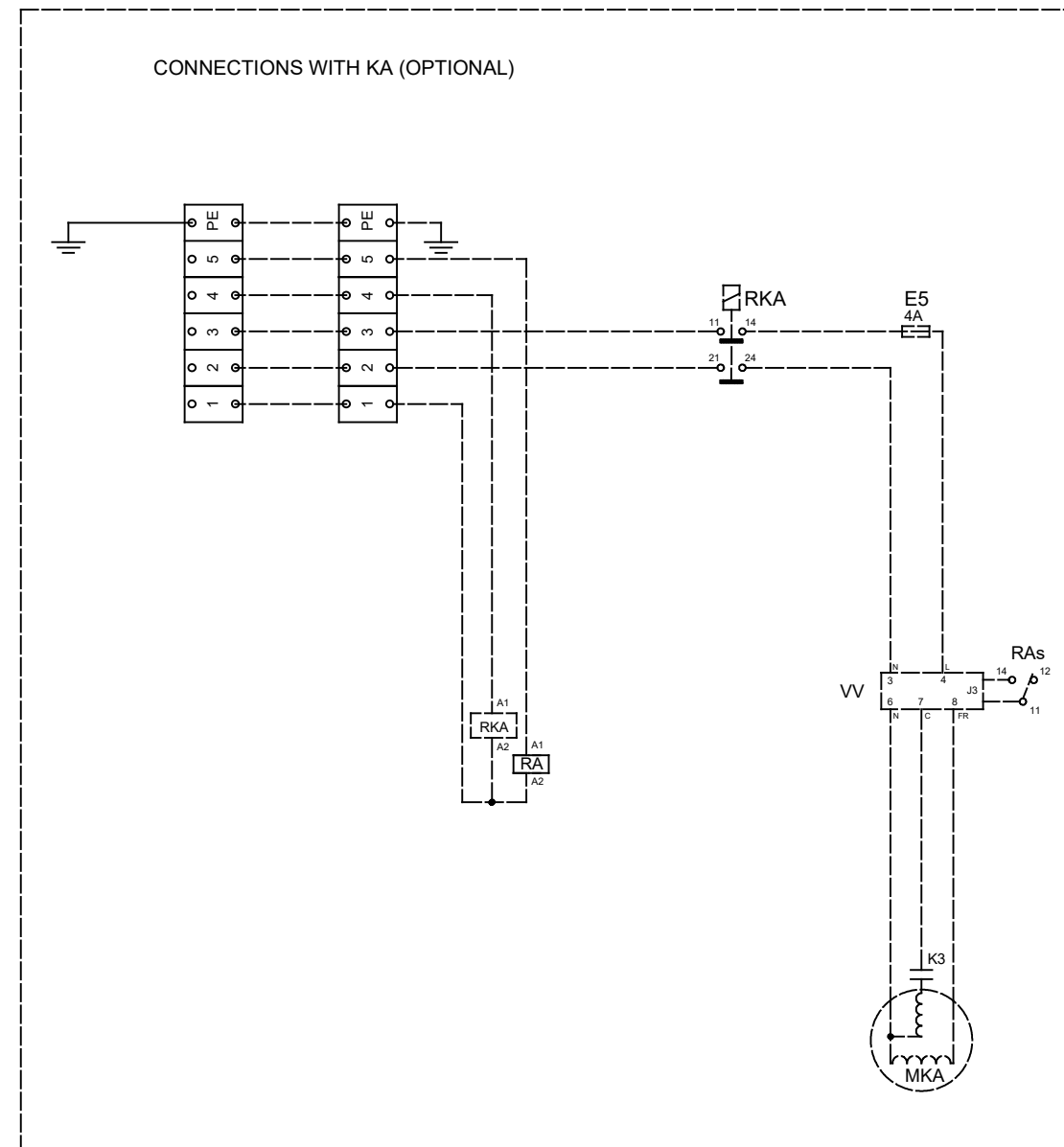
A THERMIC PROTECTION MOTOR  
AP AUTOMATIC DOOR OPENER  
AT AUTO TRANSFORMER  
B1 CYCLES SELECTOR  
B3 MICRO PORT  
B8 TIMER  
CA MOTOR CONTACTOR  
CB MOTOR CONTACTOR  
CS CONTACTOR  
CD CONTACTOR  
C2 CHAMBER HEATING ELEMENT CONTACTOR  
C3 CHAMBER RED. HEAT. ELEMENT CONTACTOR  
C4 BOILER HEATING ELEMENT CONTACTOR  
C5 BOILER RED. HEAT. ELEMENT CONTACTOR  
C6 SAFETY CONTACTOR  
DA FAN SPEED SELECTOR  
DB FAN SPEED SELECTOR  
E FUSE  
EI INVERTER FUSE  
FL INTERFERENCE SUPPRESSION FILTER  
F1 SUPPRESSION FILTER  
FP FERRITING  
F1 CHAMBER THERMOSTAT  
F2 CHAMBER SAFETY THERMOSTAT  
F3 STEAM GEN. SAFETY THERMOSTAT  
F4 STEAM CONTROL THERMOSTAT  
F5 QUENCHING SYSTEM THERMOSTAT  
F6 STEAM GEN. DRAIN THERMOSTAT  
HI PILOT LIGHT  
I REVERSING SWITCH  
IL LIGHT SWITCH  
IG MAIN SWITCH  
K3 CAPACITOR  
L PHASE  
L1 HALOGEN LAMP  
LA1 SOLID CLEAN HIGH LEVEL  
LB1 SOLID CLEAN LOW LEVEL  
LA2 SOLID CAL HIGH LEVEL  
LB2 SOLID CAL LOW LEVEL  
M MOTOR  
MKA HOOD MOTOR  
MA TERMINAL BLOCK  
M2 COOLBLOWER MOTOR  
N NEUTRAL  
NI BUZZER  
U1 HUMIDITY REGULATION  
PA WATER SAFETY PRESSURE SWITCH  
PAP AUTOMATIC DOOR OPENING BUTTON  
PB BOILER WASHING PUMP CALOUT  
PD CLEANSER PUMP  
PG GAS SAFETY PRESSURE SWITCH  
PL WATERLEVEL CONTROL  
PR1 SOLID CLEAN DRAWER CIRCULATION PUMP  
PR2 SOLID CAL DRAWER CIRCULATION PUMP  
PU HUMIDITY PUSH BUTTON  
PSM SMOKE GRILL PUMP  
PAR AROMA ESSENCE PUMP  
PFC INDUCTOR FILTER  
PROT THERMIC PROTECTION MOTOR  
RB LOW SPEED RELAY  
RBB BOILER BURNER RELAY  
RBC CAVITY BURNER RELAY  
RD MOTOR RELAY  
RS MOTOR RELAY  
RC CHAMBER RELAY  
RG RESET PUSH BUTTON  
RM DOOR SWITCH RELAY  
RP MOTOR REDUCER RELAY  
RSC BOILER DRAIN RELAY  
RR COOLINGMOTOR RELAY  
R1 HEATING ELEMENT CHAMBER  
R2 HEATING ELEMENT BOILER  
SA WASH SYSTEM SOLENOID  
SF P.C.BOARD  
IS CORE TEMPERATURE SWITCH  
RL LIGHT RELAY  
RS DAMPER SYSTEM RELAY  
RU HUMIDIFIER RELAY  
RV CORE PROBE RELAY  
RV SPEED RELAY  
SB STEAM GENERATOR SENSOR  
SC CAVITY SENSOR  
SD QUENCHING SENSOR  
SS CORE TEMPERATURE PROBE SENSOR  
S1 SOLENOID VALVE HUMIDIFIER  
S2 SOLENOID VALVE FILLING STEAM GEN.  
S5 SOLENOID VALVE QUENCHING  
S6 SOLENOID VALVE FLUSHING STEAM GEN.  
S7 SOLENOID CAVITY RINSE  
S8 SOLID CLEAN DRAWER WATER FILLING  
S9 SOLID CAL DRAWER WATER FILLING  
SBV LOW FAN SPEED SELECTOR  
S21 GAS VALVE CAVITY 1  
S22 GAS VALVE BOILER 1  
S23 GAS VALVE CAVITY 2  
S24 GAS VALVE BOILER 2  
TE TIMER RELAY  
TEC TIMER HOOD  
TES BOILER DRAIN TIME RELAY  
TEU HUMIDIFIER TIME RELAY  
TEV STOP MOTOR TIME RELAY  
TR IGNITION GAS TIME RELAY  
TP1 SOLID CLEAN DRAWER CAP  
TP2 SOLID CAL DRAWER CAP  
T1 P.C.BOARD TRANSFORMER  
T2 DISPLAY TRANSFORMER  
T3 LIGHT TRANSFORMER  
T4 P.C.BOARD TRANSFORMER  
TA ISOLATION TRANSFORMER  
TZ IGNITION TRANSFORMER  
VCS WASHING SYSTEM  
V1 BOILER DRAIN MOTOR  
V2 DAMPER SYSTEM MOTOR  
VV HOOD CONTROL P.C. BOARD  
Z1 IGNITION MODUL CHAMBER 1  
Z2 IGNITION MODUL BOILER 1  
Z3 IGNITION MODUL CHAMBER 2  
Z4 IGNITION MODUL BOILER 2  
KA RELAY HOOD

A THERMIQUE MOTEUR  
AP ACTIONNEUR D'OUVERTURE PORTE AUTOMATIQUE  
AT AUTO TRANSFORMER  
B1 SELECTEUR CYCLES  
B3 MICRO PORTE  
B8 TIMER  
CA CONTACTEUR MOTEUR  
CB CONTACTEUR MOTEUR  
CS CONTACTEUR  
CD CONTACTEUR  
C2 CONTACTEUR PUISSANCE MOUFLE  
C3 CONTACTEUR RED. PUISSANCE MOUFLE  
C4 CONTACTEUR PUISSANCE CHAUDIERE  
C5 CONTACTEUR RED. PUISSANCE CHAUDIERE  
C6 CONTACTEUR DE SECURITE  
DA SELECTEUR VITESSE TURBINE  
DB SELECTEUR VITESSE TURBINE  
E FUSIBLE  
EI FUSIBLE INVERTER  
FL FILTRE ANTIPARASITES  
F1 FILTRE  
FP FERRITE  
F1 THERMOSTAT MOUFLE  
F2 THERMOSTAT DE SECURITE MOUFLE  
F3 THERMOSTAT DE SECURITE CHAUDIERE  
F4 THERMOSTAT DE CONTROLLE VAPEUR  
F5 THERMOSTAT DE CONDENSATION  
F6 THERMOSTAT DE DRAINAGE CHAUDIERE  
HI LAMPE  
I INVERSEUR  
IL INTERRUPTEUR LAMPE  
IG INTERRUPTEUR GENERAL  
K3 CONDENSATEUR  
L PHASE  
L1 LAMPE  
LA1 NIVEAU HAUT TIROIR SOLID CLEAN  
LB1 NIVEAU BAS TIROIR SOLID CLEAN  
LA2 NIVEAU HAUT TIROIR SOLID CAL  
LB2 NIVEAU BAS TIROIR SOLID CAL  
M MOTEUR  
MKA MOTEUR HOTTE  
MA BOITE PRINCIPAL DE CONNECTION  
M2 MOTEUR DE REFRIGERATION  
N NEUTRE  
NI SONNETTE  
U1 REGULATEUR UMIDIFICATION  
PA PRESSOSTAT EAU  
PAP BOUTON D'OUVERTURE AUTOMATIQUE  
PB POMPE DE LAVAGE CHAUDIERE CALOUT  
PD POMPE DETERGENTE  
PG PRESSOSTAT GAZ  
PL REGULATEUR NIVEAU CHAUDIERE  
PR1 POMPE CIRCULATION TIROIR SOLID CLEAN  
PR2 POMPE CIRCULATION TIROIR SOLID CAL  
PU BOUTON HUMIDIFICATEUR  
PSM PUMP SMOKE GRILL  
PAR POMPE AROMA ESSENCE  
PFC FILTRE INDUCTIF  
PROT THERMIQUE MOTEUR  
RB RELAIS BASSE VITESSE  
RBB BOILERBURNER-RELAIS  
RBC GARRAUMBRENNER-RELAIS  
RD MOTOR-RELAIS  
RS MOTOR-RELAIS  
RC GARRAUM-RELAIS  
RG RESETTASTE  
RM TORIKONTAKTRELAIS  
RP REDUKTIONSSCHUTZ GARRAUM  
RSC RELAIS-BOILERABLAUF  
RR KOHLUNGSRERLAIS  
R1 HEIZELEMENTE GARRAUM  
R2 HEIZELEMENTE BOILER  
SA ENTLEERUNGSVENTIL AUTOM.REINIGUNG  
SF FUNKTIONSPLATINE  
IS INTERRUPTER SONDE A COEUR  
RL RELAIS LAMPE  
RS RELAIS SORTIE EVAP. MOUFLE  
RU RELAIS HUMIDIFICATEUR  
RV RELAIS SONDE A COEUR  
RV RELAIS VITESSE  
SB SONDE TEMPERATURE CHAUDIERE  
SC SONDE TEMPERATURE MOUFLE  
SD SONDE TEMPERATURE CONDENSATION  
SS SONDE TEMPERATURE SONDA A COEUR  
S1 ELECTROVANNE HUMIDIFICATEUR  
S2 ELECTROVANNE CHARGE CHAUDIERE  
S5 ELECTROVANNE CONDENSATION  
S6 ELECTROVANNE LAVAGE CHAUDIERE  
S7 ELECTROVANNE LAVAGE CHAMBRE  
S8 CHARGEMENT EAU TIROIR SOLID CLEAN  
S9 CHARGEMENT EAU TIROIR SOLID CAL  
SBV SELECTEUR REDUCTION VITESSE TURBINE  
S21 SOUPAPE GAZ CHAMBRE 1  
S22 SOUPAPE GAZ CHAUDIERE 1  
S23 SOUPAPE GAZ CHAMBRE 2  
S24 SOUPAPE GAZ CHAUDIERE 2  
TE TEMPORISATEUR  
TEC TIMER HAUBE  
TES TEMPORISATEUR DE DRAINAGE CHAUDIERE  
TEU TEMPORISATEUR HUMIDIFICATEUR  
TEV TEMPORISATEUR INACTIVE VITESSE  
TR TEMPORISATEUR ALLUMAGE GAZ  
TP1 BOUCHON TIROIR SOLID CLEAN  
TP2 BOUCHON TIROIR SOLID CAL  
T1 TRANSFORMATEUR PROGRAMMATEUR CLAVIER  
T2 TRANSFORMATEUR FICHE  
T3 TRANSFORMATEUR LAMPE  
T4 TRANSFORMATEUR PROGRAMMATEUR BASE  
TA TRANSFORMATEUR DE ISOLATION  
TZ TRANSFORMATEUR DE ALLUMAGE  
VCS LAVAGE AUTOMATIQUE  
V1 DRAINAGE CHAUDIERE  
V2 SORTIE EVAPORATION MOUFLE  
VV FICHE HOTTE  
Z1 ALLUMAGE GAZ MOUFLE 1  
Z2 ALLUMAGE GAZ CHAUDIERE 1  
Z3 ALLUMAGE GAZ MOUFLE 2  
Z4 ALLUMAGE GAZ CHAUDIERE 2  
KA RELAIS HOTTE

A MOTOR SCHUTZSCHALTER  
AP ZUGMAGNET FUR AUTOMATISCHE TUEROFFNUNG  
AT SPARTRANSFORMATOR  
B1 FUNKTIONSSCHALTER  
B3 TORIKONTAKTSCHALTER  
B8 TIMER  
CA MOTORSCHUTZ  
CB MOTORSCHUTZ  
CS SCHUTZ  
CD SCHUTZ  
C2 HEIZKORPERSCHUTZ GARRAUM  
C3 REDUKTIONSSCHUTZ HEIZ. GARRAUM  
C4 HEIZKORPERSCHUTZ BOILER  
C5 REDUKTIONSSCHUTZ HEIZ. BOILER  
C6 SICHERHEITSSCHUTZ  
DA GESCHWINDIGKEITS-WECHSELNACHSCHALTER  
DB GESCHWINDIGKEITS-WECHSELNACHSCHALTER  
E SICHERUNG  
EI INVERTER-SICHERUNG  
FL ENTSTORFILTER  
F1 ENTSTORFILTER  
FP FERRITRING  
F1 THERMOSTAT GARRAUM  
F2 SICHERHEITSTEMP.BEGRENZER GARRAUM  
F3 SICHERHEITSTEMP.BEGRENZER BOILER  
F4 DAMPFKONTROLLE THERMOSTAT  
F5 ABLASCHUNG THERMOSTAT  
F6 ABFLUSSTHERMOSTAT BOILER  
HI KONTROLLLAMPE  
I POLWENDER  
IL LICHTSCHALTER  
IG HAUPTSCHALTER  
K3 KONDENSATOR  
L PHASE  
L1 HALOGENBELEUCHTUNG  
LA1 MAXIMUM LEVEL BEHAELTER SOLID CLEAN  
LB1 MINIMUM LEVEL BEHAELTER SOLID CLEAN  
LA2 MAXIMUM LEVEL BEHAELTER SOLID CAL  
LB2 MINIMUM LEVEL BEHAELTER SOLID CAL  
M MOTOR  
MKA HEUBEMOTOR  
MA ANSCHLUSSKLEMME  
M2 KOHLGEBLASE  
N NULLETTER  
NI ALARMSUMMER  
U1 BASCHWADUNGSREGULATION  
PA WASSERDRUCKWACHTER  
PAP TASTENFOLIE AUTOMATISCHE TUEROFFNUNG  
PB BOILER-REINIGUNGSPUMPE  
PD REINIGER-PUMPE  
PG GASDRUCKWACHTER  
PL NIVEUKONTROLLE  
PR1 PUMPE UMWALZUNG BEHAELTER SOLID CLEAN  
PR2 PUMPE UMWALZUNG BEHAELTER SOLID CAL  
PU BASCHWADUNGSTASTE  
PSM  
PAR  
PFC DROSSEL  
PROT MOTOR SCHUTZSCHALTER  
RB RELAIS NIEDRIGE DREHZAH  
RBB BOILERBRENNER-RELAIS  
RBC GARRAUMBRENNER-RELAIS  
RD MOTOR-RELAIS  
RS MOTOR-RELAIS  
RC GARRAUM-RELAIS  
RG RESETTASTE  
RM TORIKONTAKTRELAIS  
RP REDUKTIONSSCHUTZ GARRAUM  
RSC RELAIS-BOILERABLAUF  
RR KOHLUNGSRERLAIS  
R1 HEIZELEMENTE GARRAUM  
R2 HEIZELEMENTE BOILER  
SA ENTLEERUNGSVENTIL AUTOM.REINIGUNG  
SF FUNKTIONSPLATINE  
IS KERNTEMPERATURSCHALTER  
RL BELEUCHTUNGSRELAIS  
RS DAMPFABLASS-STELLMOTOR RELAIS  
RU BASCHWADUNGSRELAIS  
RV KERNTEMPERATURRELAIS  
RV LUFTGESCHWINDIGKEITSRELAIS  
SB TEMPERATURFUHLER BOILER  
SC TEMPERATURFUHLER GARRAUM  
SD TEMPERATURFUHLER ABLASCHUNG  
SS KERNTEMPERATURFUHLER  
S1 MAGNETVENTIL BESCHWADUNG  
S2 MAGNETVENTIL FOLLUNG BOILER  
S5 MAGNETVENTIL ABLASCHUNG  
S6 MAGNETVENTIL SPULUNG BOILER  
S7 MAGNETVENTIL AUTOM.REINIGUNG  
S8 WASSERFUELLUNG BEHAELTER SOLID CLEAN  
S9 WASSERFUELLUNG BEHAELTER SOLID CAL  
SBV GESCHWINDIGKEITS-WECHSELNACHSCHALTER  
S21 GASVENTIL GARRAUM 1  
S22 GASVENTIL GARRAUM 1  
S23 GASVENTIL GARRAUM 2  
S24 GASVENTIL GARRAUM 2  
TE ZEITRELAIS  
TEC TIMER HAUBE  
TES ZEITRELAIS BOILER ENTLEERUNG  
TEU ZEITRELAIS BASCHWADUNG  
TEV ZEITRELAIS STOP MOTOR  
TR ZEITRELAIS ZUNDUNG GAZ  
TP1 VERSCHLUSSDECKEL BEHAELTER SOLID CLEAN  
TP2 VERSCHLUSSDECKEL BEHAELTER SOLID CAL  
T1 TRANSFORMATOR TASTATURPLATINE  
T2 TRANSFORMATOR DISPLAYPLATINE  
T3 TRANSFORMATOR BELEUCHTUNG  
T4 TRANSFORMATOR HAUPTPLATINE  
TA ISOLATIONS TRANSFORMATOR  
TZ TRANSFORMATOR FEUERUNGSAUTOMAT  
VCS AUTOMATISCHE REINIGUNG  
V1 STELLMOTOR BOILERABLUSS  
V2 STELLMOTOR DAMPFABLUSS  
VV HEUBEPLATINE  
Z1 FEUERUNGSAUTOMAT GARRAUM 1  
Z2 FEUERUNGSAUTOMAT BOILER 1  
Z3 FEUERUNGSAUTOMAT GARRAUM 2  
Z4 FEUERUNGSAUTOMAT BOILER 1  
KA RELAY HAUBE

A TERMICO MOTOR  
AP AUTOTRANSFORMADOR  
B1 SELECTOR CICLOS  
B3 MICROPUERTA  
B8 TEMPORIZADOR  
CA CONTACTOR MOTOR  
CB CONTACTOR MOTOR  
CS CONTACTOR  
CD CONTACTOR  
C2 CONTACTOR POTENZA CAMERA  
C3 CONTACTOR POTENZA RID. CAMERA  
C4 CONTACTOR POTENZA CALDERA  
C5 CONTACTOR POTENZA RID. CALDERA  
C6 CONTACTOR DE SEGURIDAD  
DA DESVIADOR VELOCIDAD  
DB DESVIADOR VELOCIDAD  
E FUSIBLE  
EI FUSIBLE INVERTER  
FL FILTRO DE LINEA  
F1 FILTRO  
FP FERRITA  
F1 TERMOSTATO CAMERA  
F2 TERMOSTATO DE SEGURIDAD CAMERA  
F3 TERMOSTATO DE SEGURIDAD CALDERA  
F4 TERMOSTATO CONTROL VAPOR  
F5 TERMOSTATO CONDENSACION  
F6 TERMOSTATO DESAGUE CALDERA  
HI LED  
I INVERSOR ROTACION MOTOR  
IL INTERRUPTOR LUZ  
IG INTERRUPTOR GENERAL  
K3 CONDENSADOR  
L FASE  
L1 LAMPARA  
LA1 MAXIMO LEVEL BEHAELTER SOLID CLEAN  
LB1 MINIMO LEVEL BEHAELTER SOLID CLEAN  
LA2 MAXIMO LEVEL BEHAELTER SOLID CAL  
LB2 MINIMO LEVEL BEHAELTER SOLID CAL  
M MOTOR  
MKA MOTOR CAMPANA DE ASPIRACION  
MA REGLETE DE ALIMENTACION  
M2 MOTOR DE ENFRIAMIENTO  
N NEUTRO  
NI SONERIA  
U1 REGULACION UMIDIFICACION  
PA PRESOSTATO AGUA  
PAP BOMBA LAVADO CALDERA  
PB BOMBA DETERGENTE  
PG PRESOSTATO GAS  
PL CONTROL DE NIVEL  
PR1  
PR2  
PU INTERRUPTOR HUMIDIFICADOR  
PSM  
PAR  
PFC INDUCTANCIA  
PROT TERMICO MOTOR  
RB RELE BAJA VELOCIDAD  
RBB RELE QUEMADOR BOILER  
RBC RELE QUEMADOR CAMERA  
RD RELE MOTOR  
RS RELE MOTOR  
RC RELE CAMERA  
RG INTERRUPTOR REARME  
RM RELE MICROPUERTA  
RP RELE REDUCT. POTENZA  
RSC RELE' DESCARGUE CALDERA  
RR RELE DE ENFRIAMIENTO  
R1 POTENZA CAMERA  
R2 POTENZA CALDERA  
SA ELECTROVALVULA DESAGUE LAVADO  
SF TARJETA ELECTRONICA  
IS INTERRUPTOR SONDA AL CORAZON  
RL RELE LUZ  
RS RELE RESPIRADERO CAMERA  
RU RELE HUMIDIFICADOR  
RV RELE SONDA AL CORAZON  
RV RELE VELOCIDAD  
SB SONDA TEMPERATURA CALDERA  
SC SONDA TEMPERATURA CAMERA  
SD SONDA TEMPERATURA CONDENSACION  
SS SONDA TEMPERATURA SONDA SL CORAZON  
S1 ELECTROVALVULA HUMIDIFICADOR  
S4 ELECTROVALVULA GAS CALDERA  
S5 ELECTROVALVULA CONDENSACION  
S6 ELECTROVALVULA LAVADO CALDERA  
S7 ELECTROVALVULA LAVADO CAMERA  
SBV DESVIADOR RID. VELOCIDAD  
S21 ELECTROVALVULA GAS CAMERA 1  
S22 ELECTROVALVULA GAS BOILER 1  
S23 ELECTROVALVULA GAS CAMERA 2  
S24 ELECTROVALVULA GAS BOILER 2  
TE TEMPORIZADOR  
TEC TIMER CAMPANA DE ASPIRACION  
TES TEMPORIZADOR DESCARGA CALDERA  
TEU TEMPORIZADOR HUMIDIFICADOR  
TEV TEMPORIZADOR FERMO MOTOR  
TR TEMPORIZADOR ENCENDIDO GAS  
TP1  
TP2  
T1 TRANSFORMADOR TARJETA TASTIERA  
T2 TRANSFORMADOR PLACA DISPLAY  
T3 TRANSFORMADOR LUZ  
T4 TRANSFORMADOR TARJETA BASE  
TA TRANSFORMADOR ISOLAMIENTO  
TZ TRANSFORMADOR ENCENDIDO  
VCS LAVADO CAMERA AUTOMATICO  
V1 DESAGUE BOILER  
V2 DESAGUE CAMERA  
VV TARJETA CAMPANA DE ASPIRACION  
Z1 ENCENDIDO GAS CAMERA 1  
Z2 ENCENDIDO GAS CALDERA 1  
Z3 ENCENDIDO GAS CAMERA 2  
Z4 ENCENDIDO GAS CALDERA 2  
KA RELE' CAMPANA DE ASPIRACION

REV	MODIFICHE	DATA	DISEGNATO	CONTROLLATO	DENOMINAZIONE: LEGENDA	MODELLO: -	DISEGNATO A.B.	DATA -	CODICE	REV 05
						PERCORSO FILE: M. Zanchetta	CONTROLLATO	SCALA	CODICE PREC.	REV
						IMBALLO: TOLLERANZE GENERALI DIMENSIONI < 150 mm ±0.5 mm ANGOLI NON QUOTATI = 90° ±30'				
					QUESTO DISEGNO E' DI NOSTRA PROPRIETA' E NON PUO' ESSERE USATO O RIPRODOTTO SENZA LA NOSTRA AUTORIZZAZIONE					
										



RM RELE MICROPORTA	RM RELAY DOORSWITCH	RM RELAIS MICRO PORTE
KA RELE CAPPRA	KA RELAY HOOD	KA RELAIS HOTTE
B3 MICROPORTA	B3 DOORSWITCH	B3 MICRO PORTE
TEC TIMER ATTIVAZIONE CAPPRA	TEC TIMER HOOD	TEC TIMER HOTTE
MKA MOTORE CAPPRA	MKA HOOD MOTOR	MKA MOTEUR HOTTE
VV SCHEDE CONTROLLO CAPPRA	VV HOOD CONTROL P.C. BOARD	VV FICHE HOTTE
RM RELAY TUERSCHALTER	RM RELE MICROPUERTA	
KA RELAY HAUBE	KA RELE CAMPANA DE ASPIRACION	
B3 TUERSCHALTER	B3 MICROPUERTA	
TEC TIMER HAUBE	TEC TIMER CAMPANA DE ASPIRACION	
MKA HEUBEMOTOR	MKA MOTOR CAMPANA DE ASPIRACION	
VV HEUBEPLATINE	VV TARJETA CAMPANA DE ASPIRACION	

REV	MODIFICHE	DATA	DISegnATO	CONTROLLATO

<b>DENOMINAZIONE:</b> SCHEMA ELETTRICO AC 230V -	<b>MODELLO:</b> KA	<b>DISEGNATO</b> A.B.	<b>DATA</b> 26.04.2012	<b>CODICE</b>	<b>REV</b> 00
	<b>PERCORSO FILE:</b>	<b>CONTROLLATO</b> M. Zanchetta	<b>SCALA</b>	<b>CODICE PREC.</b>	<b>REV</b>
	<b>IMBALLO:</b>	<b>TOLLERANZE GENERALI</b> DIMENSIONI < 150 mm ±0.5 mm DIMENSIONI > 150 mm ±1 mm ANGOLI NON QUOTATI = 90° ±30'			<b>ALI Group S.r.l.</b> Unità locale di Vittorio Veneto