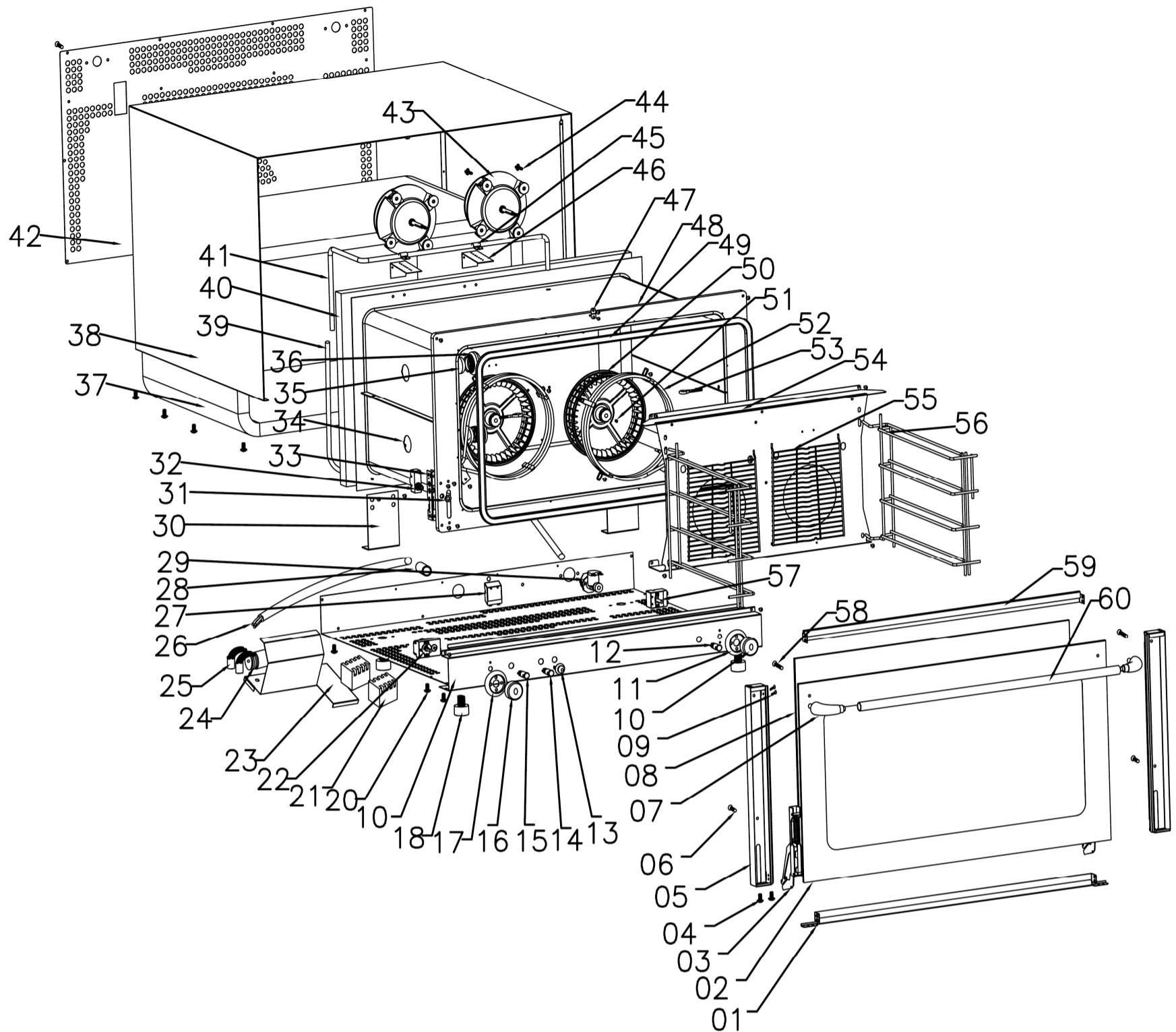


EXPLOSIONSZEICHNUNG



KBS Gastrotechnik GmbH – Schoßbergstraße 26 – 65201 Wiesbaden



YSD-8AS PART LIST

S/N	Description (English)	Part Code	Unit QTY
1	Lower cross beam	20207008015	1
2	Outside toughened glass	302100510L	1
3	Door hinge	302202145L	2
4	Pan head screw		4
5	Door post	20207008016+20207008017	2
6	Sunk screw		2
7	Handle	302070235	2
8	Inner toughened glass	302100144	1
9	Tapping screw		8
10	Thermostat knob base	301110028	1
11	Thermostat knob base	301110004	1
12	Working indicator	301130013	1
13	Switch	301080023	1
14	Spraying indicator	301130014	1
15	Power indicator	301130015	1
16	Timer knob	301110037	1
17	Timer knob base	301110020	1
18	Foot	302090022	4
19	Board		1
20	Tapping screw		20
21	AC contactor	301090016	2
22	Timer(120min)	301120011	1
23	Motor support		1
24	Reversible transformer	301150291	1
25	Capacitor	301010061	2
26	Power cord jacket		3,5
27	Temperature limiter	301030198L	1
28	Power cord jacket		1
29	Inlet solenoid valve	301100022	1

30	Chamber bracket		2
31	Locking screw		1
32	Travel switch	301080154L	1
33	Mounting frame	302202163L	2
34	Illuminator base	301130038	One Set with #35 & #36
35	Illuminator	301130048	2
36	Glass chimney	301130038	One Set with #34 & #35
37	Insulation cotton		1
38	Shell		1
39	Hose	302230002	1
40	Insulation cotton		1
41	Pipe support		1
42	Back board		1
43	Motor	301010204	2
44	Locking bolt for motor		8
45	Presser bit for pipe		2
46	Pipe support		2
47	Connector		1
48	Chamber		1
49	Door gasket	302020078	1
50	Fan	302030067	2
51	Hexagonal nut		2
52	Heating element	301040230	2
53	Frame buckle		2
54	Fan cover board		1
55	Fan cover		2
56	Shelf		2
57	Thermostat	301030022	1
58	Sunk screw		2
59	Door cross beam		1
60	Handle	20207008019	1