



Neumärker

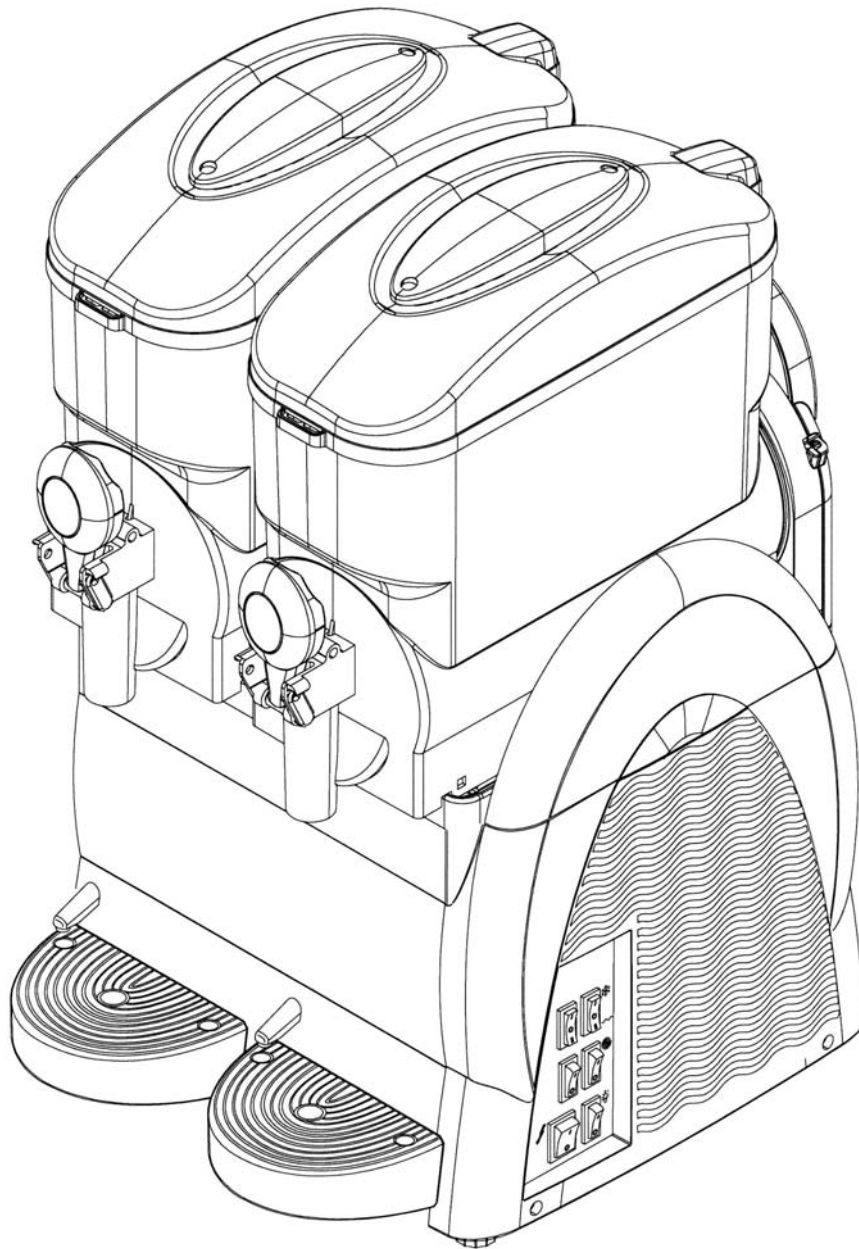
Lohstr. 13 - 58675 Hemer / Postfach 4063 - 58663 Hemer
Telefon: +49 2372 9274-0 Fax: +49 2372 3304
DEUTSCHLAND

Explosionszeichnung

Spin Slush – 2x 12 Liter

Art.-Nr. 05-10195

www.neumaerker.de



LIST OF COMPONENTS PARTS 2 TANK MACHINE

N°	Reference	Description
1	SL320001694	Topper - upper part black
2	SL320000011	Bulb holder support
3	SL320001421	Bulb holder
4	SL38LA10WG4	Bulb
5	SL320001693	Light topper SPIN black
6	SL3GS24017C	Cover bung black
7	SL320001245	Undercover
8	SL3GS82013A	Spigot tap holder
9	SL320001401	Cylindrical spring cock
10	SL320001692	Spigot handle SPIN black
11	SL310000367	Spigot pin
12	SL310001367	Spigot piston
13	SL320001550	Cover light contacts
14	SL320001758	Spigot sealing plug
15	SL320000054	Drain pipe
16	SL3GS12009D	Auger spiral
17	SL320002181	Left panel black
18	SL320001374	Front panel
19	SL340001148	Drip tray assy - black
20	SL310003561	Complete illuminated cover SPIN black
21	SL330000145	Fuse 5x20 L250V T250MA
22	SL320001320	Transformer support
23	SL300009165	Transformer for halogen lamp 50W 250/60Hz
24	SL320001691	External condensation union black
25	SL320001690	Internal condensation union black
26	SL340000887	Bowl 12 Litres 230V
27	SL320001684	Evaporator support Pz 1 - black
28	SL310000321	Evaporator support Pz 2 - black
29	SL3GS36007B	Evaporator/bowl rear gasket
30	SL310001710	Shaft supporting bushing
31	SL300951200	Evaporator
32	SL310001687	Evaporator/auger spiral rubber attachment
33	SL300951627	Evaporator tray bung - black
34	SL3GS12036A	Hardness control pin catch
35	SL3GS12035A	Hardness control pin
36	SL320001686	Evaporator support cover - black
37	SL3GS12037B	Hardness control pin bushing
38	SL310001422	Gear motor KENTA mono 220/50
39	SL3GS12031A	Transmission shaft racor
40	SL300006076	Stainless steel seeger-ring DIN 471 E-12
41	SL3GS12038A	Torque compression spring
42	SL3GS12030A	Beater Drive Shaft GHZ

N°	Reference	Description
43	SL310003510	Evaporator support assy - black
44	SL300950587	Limit switch
45	SL300970272	Evaporator tray - black
46	SL330000119	Cover protection for switch 11 x 30
47	SL300970232	Evaporator tray support
48	SL340000917	Rear panel
49	SL330000096	Cover protection for switch 22 x 30
50	SL320001170	Chassis
51	SL37AAL3231	Thermostat RANCO K50 L3231
52		
53	SL300951357	Foot H. 40 mm
54	-----2	Kit electric parts compres. T2168GK CSIR 220/50
55	SL320001382	Rear panel spacer
56	SL320002179	Right panel black
57	SL340000785	Condenser group assy
58	SL300000964	Switch 11x30 - Black
59	SL300003131	Light main switch 22x30 - Green
60	SL300950299	Receiver
61	SL38EAE48GL	Ev-coil - gas 230V 50/60 Hz
62	SL3GS24711B	Double solenoid valve assy 230V 50/60Hz
63	SL300970236	Condenser
64	SL3GS36815A	Dryer
65	SL320001267	Thermostat support
66		
67	SL37ZG02168	Compressor T2168GK CSIR 230-240/50
68	SL300000233	Fan blade VA ø254/28°
69	SL320001379	Side panel support
70	SL320001258	Fan motor 220/240V 50/60Hz
71	SL320001352	Control panel
72	SL320001388	Control board adhesive
73	SL320001391	Complete control panel
74	SL3GS82016A	Spigot closing rod
75	SL3GS24118A	Padlock
76	SL320001689	Side panel cover black
77	SL300951089	Change-over switch 11x30 - Black
78	SL320001589	Panel support SPIN 2-3
79	SL320001383	Front panel spacer
80		
81		
82		
83	SL310003650	Power cable 3x1'5 with ISRAEL plug
84	SL320001653	Bracket condensate

EXPLODED VIEW 2 TANK MACHINE

