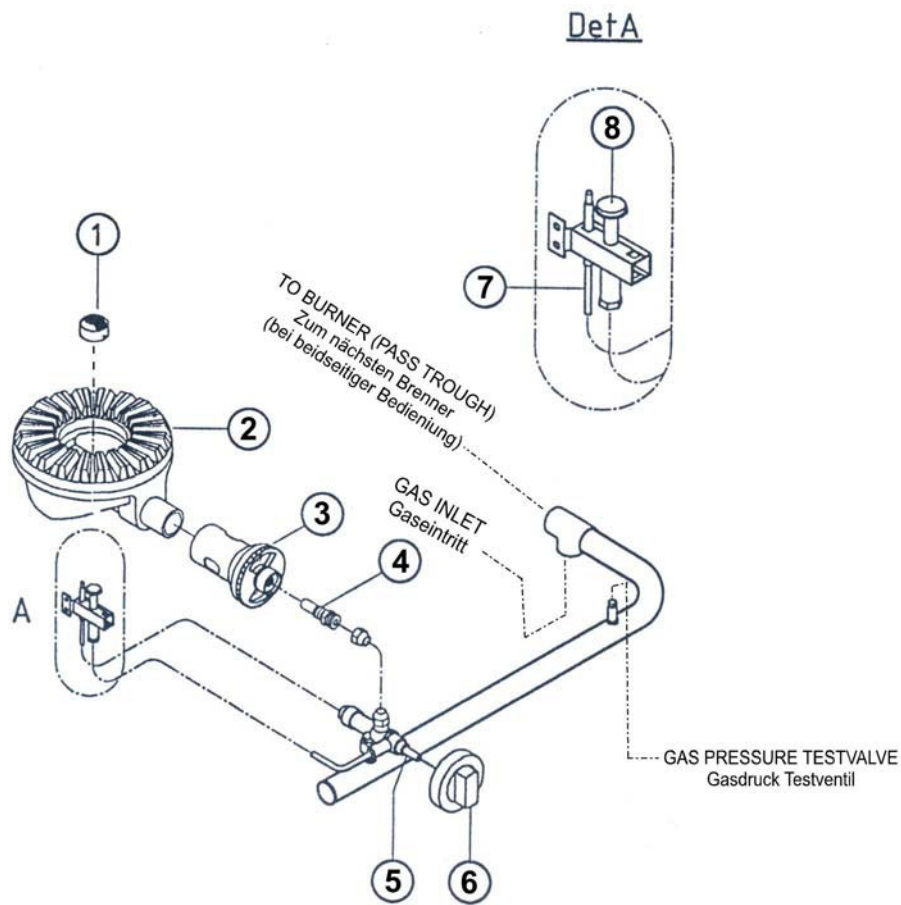


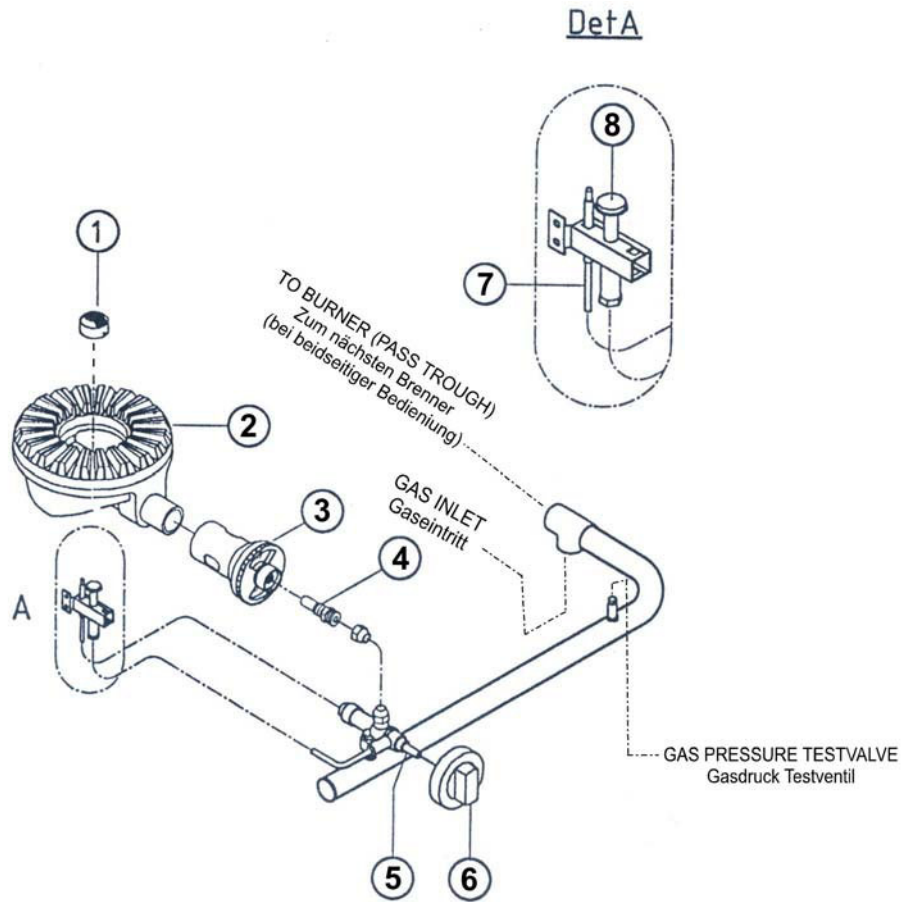
EXPLOSIONSZEICHNUNG



KBS Gastrotechnik GmbH – Schoßbergstraße 26 – 65201 Wiesbaden



Lfd. Nr.	Beschreibung	Teile-Nr.	Menge
1	Zapfenverschluss 3/8"×1/4"	GS.4232	1 - 4
2	Brennerkopf NS 9001	GS.8020 S	1 - 4
3	Luftmischkammer	GS.8000 S	1 - 4
4	Düse Ø 1,70 mm	GS.282 F	1 - 4
5	Mehrfachstellgerät (Gashahn)	GS.3875	1 - 4
6	Schalterknebel (Gashahn)	GS.3602	1 - 4
7	Thermoelement M9x1/1000 mm	GS.3890	1 - 4
8	Zündbrenner	GS.3851	1 - 4



No	Description	P/N°	Quantity
1	Plug 3/8"×1/4"	GS.4232	1 - 4
2	Burner NS 9001 assy	GS.8020 S	1 - 4
3	Primary air control assy	GS.8000 S	1 - 4
4	Injector / nozzle Ø 1.70 mm	GS.282 F	1 - 4
5	Safety Gas Cock	GS.3875	1 - 4
6	ABS Knob for gas valve	GS.3602	1 - 4
7	Thermocouple	GS.3890	1 - 4
8	Pilot burner	GS.3851	1 - 4